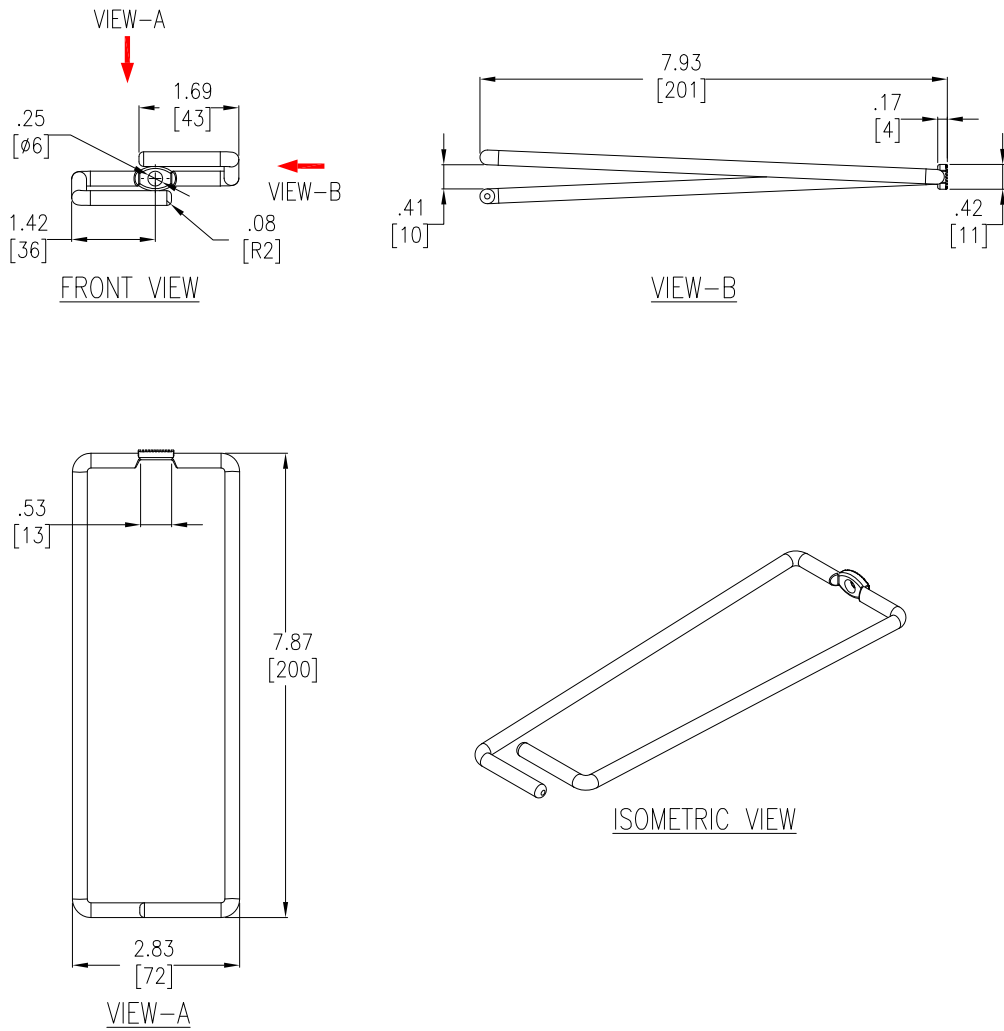
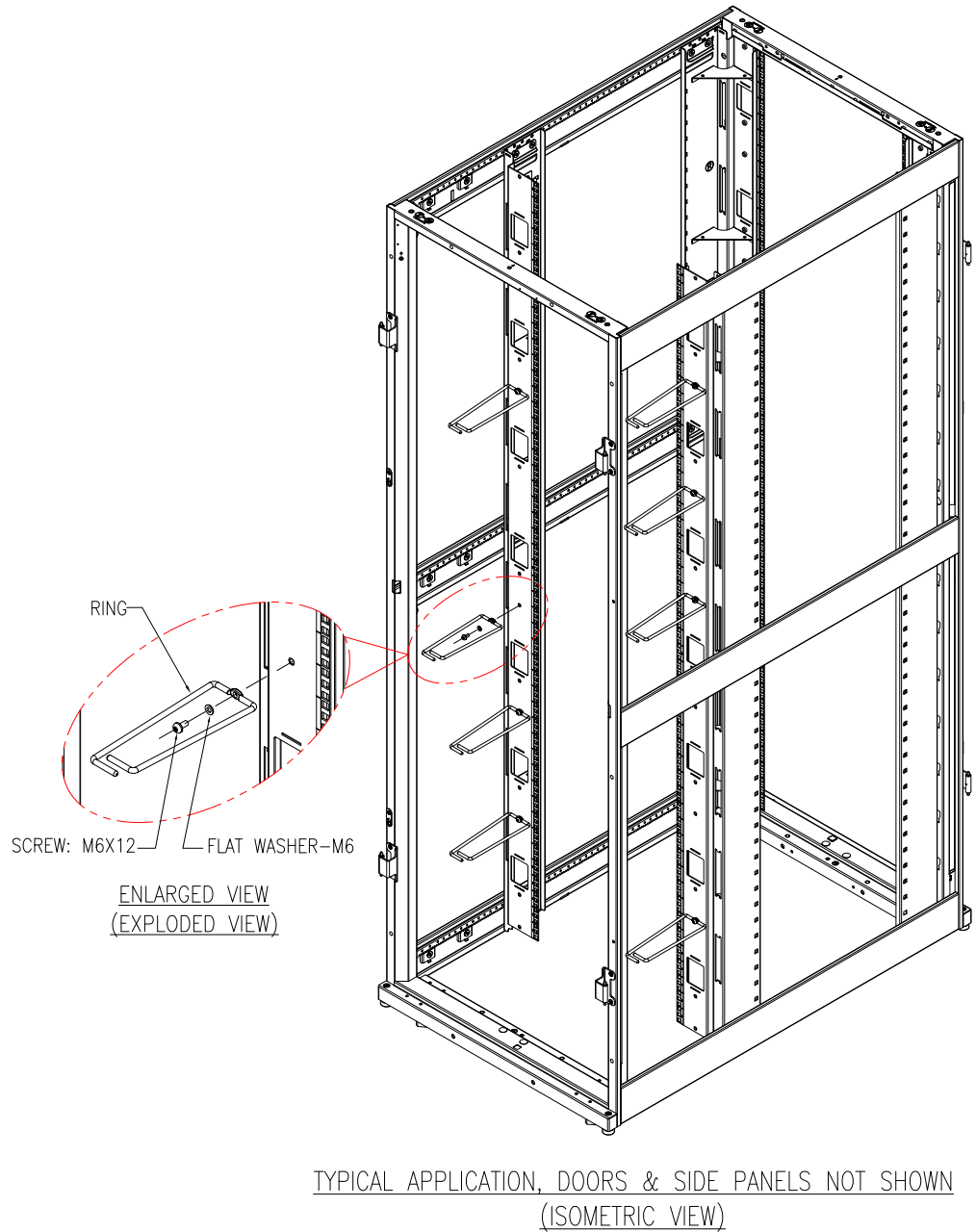


SKU DETAILS

CABLE MANAGEMENT RINGS, 8 INCH DEEP (QTY.: 8 PIECES)



APPLICATION DETAILS (8 UNITS PER SKU)



NOTES:

1. INSTALLATION SHALL COMPLY WITH ALL APPLICABLE NATIONAL AND LOCAL CODES.
2. SEE PRODUCT DOCUMENTATION FOR FURTHER INFORMATION.
3. UNLESS OTHERWISE SPECIFIED, ALL DIMENSIONS ARE IN INCHES [MILLIMETERS].
4. WEIGHT OF UNIT IS 2.4 LBS [1.09 kg].

THIS DRAWING AND SPECIFICATIONS HEREIN ARE THE PROPERTY OF SCHNEIDER ELECTRIC AND SHALL NOT BE COPIED, REPRODUCED OR USED IN WHOLE OR IN PART, AS THE BASIS FOR THE MANUFACTURE OR SALE OF ITEMS WITHOUT WRITTEN PERMISSION FROM SCHNEIDER ELECTRIC. THIS DRAWING IS BASED UPON LATEST AVAILABLE INFORMATION AND IS SUBJECT TO CHANGE WITHOUT NOTICE.

Schneider Electric

TITLE: CABLE MANAGEMENT RINGS FOR 750mm WIDE ENCLOSURE MAIN MECHANICAL

PROJECT: STD SUBMITTAL DRAWINGS SHEET 1 OF 1

DWG NO: **AR7707**

DRAWN BY: JAYAPRAKASH 12-JAN-08

ENGINEER: M UHRHAN/B OLIVER 12-JAN-08

APPROVED BY: B SHERIDANE/SILVIO CARSENIS/MSH 12-JAN-08

REV 0

PROJ ANGLE N/A