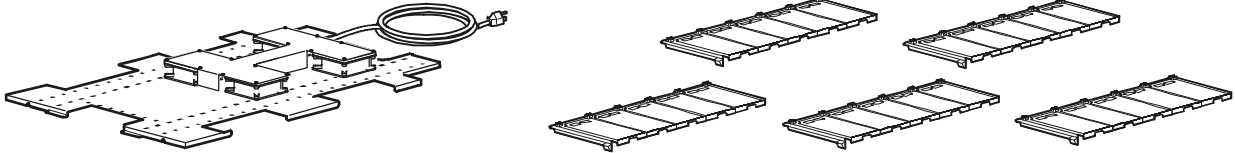


NetShelter[®] SX Roof Fan Tray (ACF501, ACF502, ACF503, ACF504)—Installation

Inventory

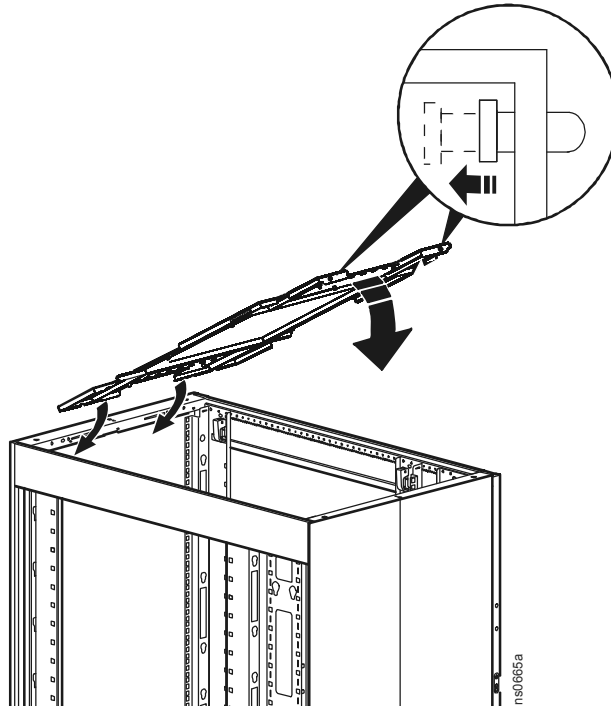


Installation

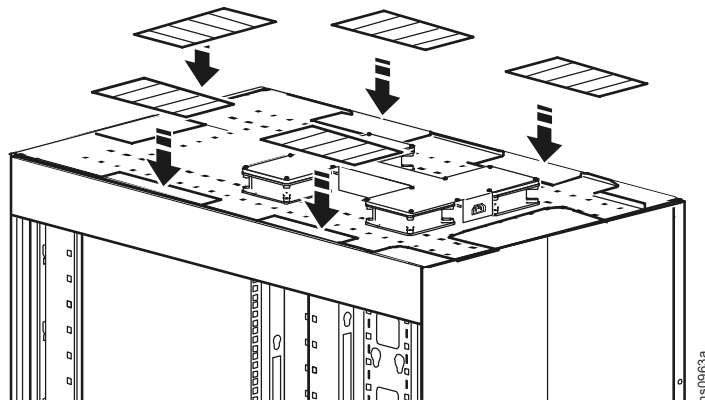


Warning: Install the Roof Fan Tray only on a circuit that has proper overcurrent protection.

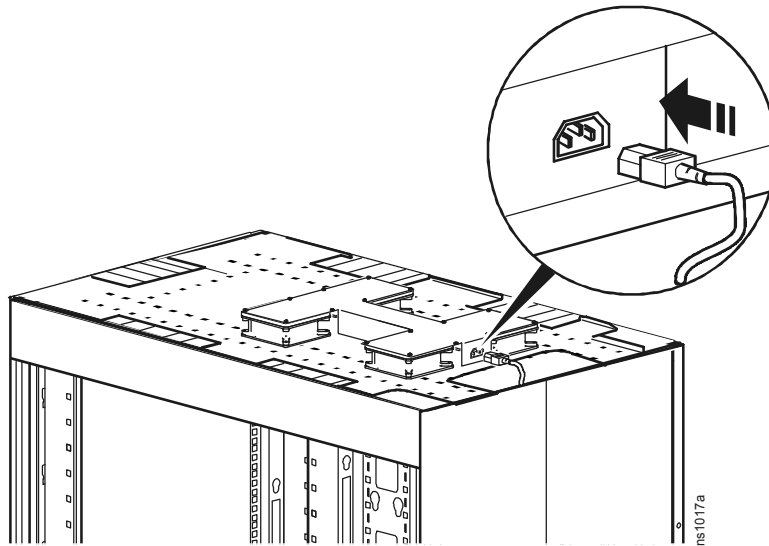
1



2



3



Note: Using one of the supplied power cords, connect the female end to one of the input sockets on the rear of the unit. Plug the male end into a UPS or other socket that provides protected power.

Cords may be bundled and tie-wrapped to provide clearance for other components.

Models

The American Power Conversion (APC®) NetShelter SX Roof Fan Tray is available in the following models:

APC Part Number	Description	Voltage
ACF501	600-mm Roof Fan Tray	120 VAC
ACF502	600-mm Roof Fan Tray	230 VAC, 208 VAC
ACF503	750-mm Wide Roof Fan Tray	120 VAC
ACF504	750-mm Wide Roof Fan Tray	230 VAC, 208 VAC



Note: The Roof Fan Trays are for use with the following APC NetShelter SX Enclosures only:

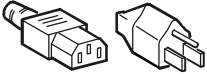

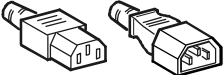

Roof Fan Tray Part Number	Enclosure Part Number	Enclosure Description
ACF501, ACF502	AR3100	42 U 600 mm Wide x 1070 mm Deep
	AR3104	24 U 600 mm Wide x 1070 mm Deep
	AR3107	48 U 600 mm Wide x 1070 mm Deep
ACF503, ACF504	AR3150	42 U 750 mm Wide x 1070 mm Deep
	AR3157	48 U 750 mm Wide x 1070 mm Deep

Electrical ratings

ACF501, ACF503					
Input Voltage	Frequency	Current	Noise	Airflow [†]	Operating Voltage Range
120 VAC	50 Hz	0.70 A	51 dBA	370 cfm	102–138 VAC
	60 Hz	0.85 A	51 dBA	440 cfm	102–138 VAC
ACF502, ACF504					
230 VAC	50 Hz	0.50 A	62 dBA	370 cfm	196–264 VAC
	60 Hz	0.40 A	62 dBA	440 cfm	196–264 VAC
208 VAC	50 Hz	0.40 A	62 dBA	370 cfm	196–264 VAC
	60 Hz	0.35 A	62 dBA	398 cfm	196–264 VAC

[†] Airflow given at nominal input voltage.

Roof Fan Tray power cords

APC Part Number	Quantity	Cord Description	Length ft (m)	Cord Connectors
ACF501, ACF503	1	IEC-320-C13 to NEMA 5-15P	10 (3)	
ACF502, ACF504	1	IEC-320-C13 to BS 1363	8.2 (2.5)	
	1	IEC-320-C13 to IEC-320-C14	8.2 (2.5)	
	1	IEC-320-C13 to CEE 7/7	8.2 (2.5)	

APC Worldwide Customer Support

Customer support for this or any other APC product is available at no charge in any of the following ways:

- Visit the APC Web site to access documents in the APC Knowledge Base and to submit customer support requests.
 - **www.apc.com** (Corporate Headquarters)
Connect to localized APC Web sites for specific countries, each of which provides customer support information.
 - **www.apc.com/support/**
Global support searching APC Knowledge Base and using e-support.
- Contact the APC Customer Support Center by telephone or e-mail.
 - Local, country-specific centers: go to **www.apc.com/support/contact** for contact information.

For information on how to obtain local customer support, contact the APC representative or other distributors from whom you purchased your APC product.



Customer support and warranty information is available at the APC Web site, **www.apc.com**.

© 2009 American Power Conversion. All rights reserved. All APC trademarks are property of American Power Conversion. Other trademarks are property of their respective owners.

990-2345B-001
01/2009

